

# Installation Instructions EVO-PC4-MOUNT

**POSX**  
POINT OF SALE PERFECTED

document version 1.0

www.pos-x.com | 360.738.8433 | support@pos-x.com

## INTRODUCTION

Thank you for purchasing the EVO-PC4-MOUNT. POS-X strives to provide the best possible product and service to its customers. If you experience any difficulties with this product, contact support at 800-790-8657 ext. 5.

## SAFETY

To reduce the risk of personal injury and property damage, adhere to the guidelines below.

### **⚠️WARNING!**

**Disconnect electrical devices from power when performing physical maintenance, repair, or modification to reduce the risk of electrical shock and property damage.**

**Read all instructions before beginning installation. If you are uncertain of your ability to complete the installation, consult customer support or other qualified personnel.**

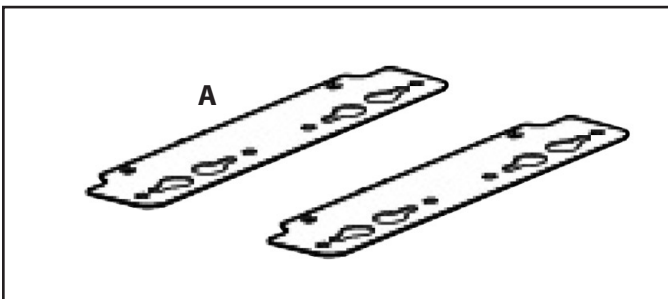
**Follow all safety warnings for the EVO-PC4 as described in its owner's manual.**

## ADDITIONAL ITEMS REQUIRED

- Phillips Screwdriver #2
- Fasteners for securing brackets to wall/counter/etc. (not included, as installation will vary)

## INVENTORY

- A. Mounting Brackets (x2)
- B. Screws (x4) (Not Shown)

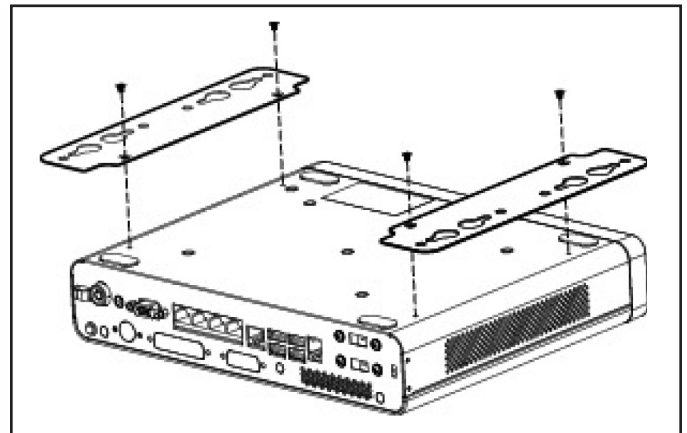


Inventory

## INSTALLATION

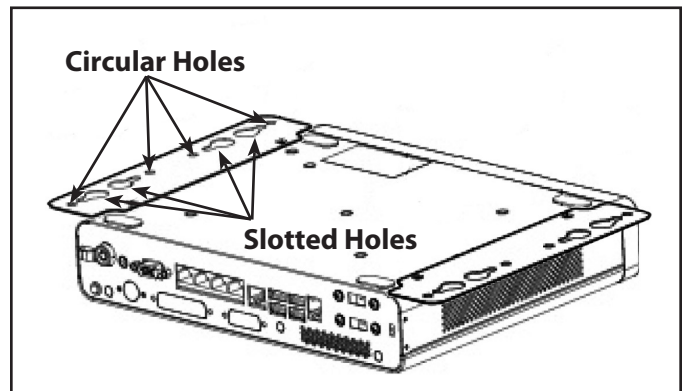
Installation consists of securing the brackets to the EVO-PC4, then attaching the brackets to your desired surface.

- 1** If the EVO-PC4 is currently turned **ON**, turn it **OFF** and disconnect it from power.
- 2** Turn the EVO-PC4 over to access the bottom of the housing.
- 3** Secure the mounting brackets to the EVO-PC4 with the four included screws, as shown below.



Securing brackets to EVO-PC4.

- 4** Attach the assembled unit to the desired surface, using at least four fasteners appropriate for the application. **NOTE:** POS-X recommends mounting through the standard circular holes, rather than the slotted holes to prevent the EVO-PC4 from accidentally falling.



Securing brackets to EVO-PC4.